

Smart-Boost™ Rotary Converters

SB-50

Quick Specs

See back for complete specs

Single Phase Input: 208 - 245 Volts

3 Phase Rated Output: 208 - 245 Volts

Minimum Single Phase Circuit: 125 Amps

Best Performance Single Motor Start: 25HP

Recommended 3 Phase Sizing: 62 Amps

Voltage Balance: +/-5-10% (Based on input)

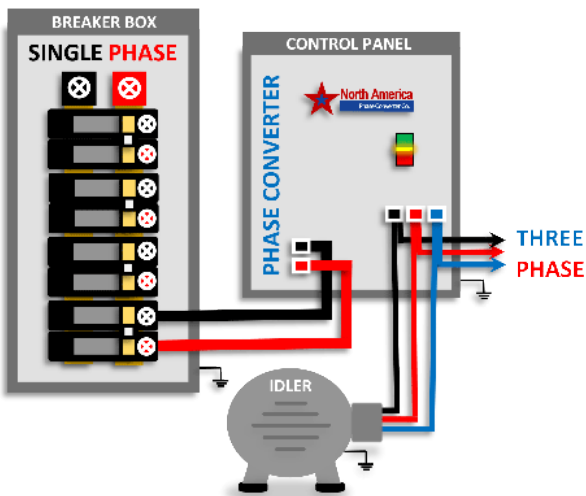
Professional. Powerful. Affordable. Smart-Boost™ offers much more than you would expect from a phase converter. Unparalleled starting power for the toughest starting applications.

Control Panel Features

- 600% Motor Starting Boost Current
- Built-In Motor Starter with Start/ Stop Push Button Switch
- Digitally Controlled with Solid State Switching
- Complete Phase Power Failure Protection
- Power "ON" Indicator Light
- Voltage Differential Technology
- 10 Year Parts / Lifetime Labor Warranty
- Made In the USA



Typical Wiring Diagram



Idler Generator Features

- Custom Made Rotary Phase Converter Generators
- Low Impedance/High Efficiency Design
- Custom Copper Windings and Rotor
- Made by ABB / Baldor Electric USA
- Available in ODP and TEFC
- Shielded Windings
- Made In the USA



North America Phase Converter Co.
2728 South 163rd Street
New Berlin, WI 53151
877-545-2926
NorthAmericaPhaseConverters.com



Model	
Brand	NAPCES
Line	Smart-Boost™
Model #	SB-50
General Specifications	
Horse Power (HP)	50
Kilo-watt (kW)	37.3
Frequency (Hz)	60
Generator Type	ODP
Enclosure Type	NEMA 1 (Indoor)
Generator Frame	324
Single Phase Electrical Specifications	
Voltage Input	208-245
Minimum Fuse Size	125
Minimum Circuit Breaker Size	125
Maximum Fuse Size	250
Maximum Circuit Breaker Size	250
Minimum Wire Input	300 MCM or 125% of circuit size
Idle Amperage	15.44
Three Phase Electrical Specifications	
Voltage Output	208-245 based on input voltage
Output Amperage	120
Voltage Balance	5-10%
Minimum Wire to Generator	2/0 AWG
Minimum Wire to Load	2/0 AWG or based on load
Dimensions & Weights	
Enclosure (H X W X D)	30" X 28" X 42"
Installation Clearance (all sides)	12" to 18"
Approx. Total Shipping Weight	629 lbs.

The SB-50 Smart-Boost™ Phase Converter is best sized for:
Easy / Light Motor Loads - up to 40 HP
<i>Examples of Easy Loads: Table Saw, Milling Machine, Drill Press</i>
Medium Motor Loads - up to 30 HP
<i>Examples of Medium Loads: Belt Sander, Grinder, Mixer</i>
Hard Motor Loads - up to 25 HP
<i>Examples of Hard Loads: Gearhead Lathe, Dust Collector, Fan</i>
Very Hard Motor Load - up to 25 HP
<i>Examples of Very Hard Motor Loads: Air Compressor, Sub. Pump</i>
CNC, Resistive and Inductive Loads - 62 Amps @240 Volts

Sizing Notes

SB-50

- For light/easy motor loads:** Size rotary phase converter 1.25 times larger than the motor load
- For medium motor loads:** Size rotary phase converter 1.5 times larger than the motor load
- For heavy/hard motor loads:** Size rotary phase converter double the size of motor load
- For very hard motor loads:** Size rotary phase converter double the size of motor load
- For CNC, resistive and inductive loads:** Recommend *Pro-Line* or *Smart-Phase™*

Available Accessories



Wired and Wireless Remote Switches



Twist-Lock Outlets and Plugs



Rubber Isolation Mounting Feet