

Pro-Line Rotary Phase Converters **PL-100**

Quick Specs

See back for complete specs

Single Phase Input Voltage: 208 - 245 Volts

3 Phase Rated Output: 208 - 245 Volts

Min. Single Phase Circuit: 200 Amps

Best Performance Single Motor Start: 50HP

Recommended 3 Phase Sizing: 122 Amps

Voltage Balance: +/-2-5% (Based on input)

Professional. Rugged. Affordable. Pro-Line offers more than a traditional phase converter. Built complete and loaded with features.

Control Panel Features

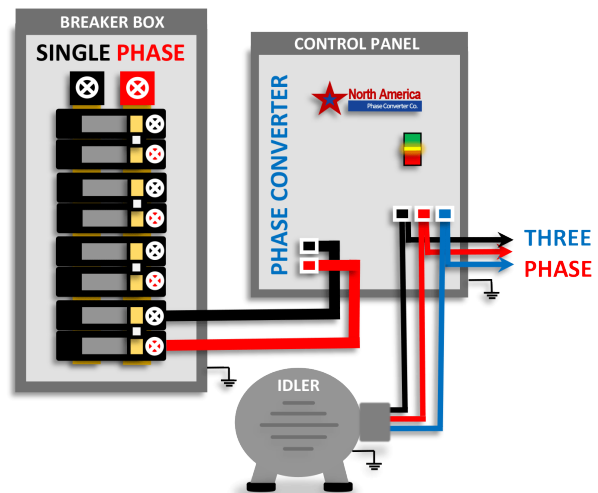
- Integrated Motor Starter with Start/Stop Push Button Switch
- Digitally Controlled & Protected Start Circuit
- Complete Phase Power Failure Protection
- CNC Voltage Balancing
- Power "ON" Indicator Light
- Easy Power Distribution Block Connections
- 10 Year Parts / Lifetime Labor Warranty
- Made In the USA



Idler Generator Features

- Custom Design Rotary Phase Converter Generators
- Low Impedance/High Efficiency Design
- Custom Copper Windings and Rotor
- Made by ABB / Baldor Electric USA
- Soft Start Idler Generator
- Shielded Windings
- Made In the USA

Typical Wiring Diagram



North America Phase Converter Co.
2728 South 163rd Street
New Berlin, WI 53151
877-545-2926
NorthAmericaPhaseConverters.com



| Model | |
|--|-----------------------------------|
| Brand | NAPCES |
| Line | Pro-Line |
| Model # | PL-100 |
| General Specifications | |
| Horse Power (HP) | 100 |
| Kilo-watt (kW) | 74kW |
| Frequency (Hz) | 60 |
| Generator Type | ODP |
| Enclosure Type | NEMA 1 (Indoor) |
| Generator Frame | Twin 324 |
| Single Phase Electrical Specifications | |
| Voltage Input | 208-245 |
| Minimum Fuse Size | 150 |
| Minimum Circuit Breaker Size | 150 |
| Maximum Fuse Size | 300 |
| Maximum Circuit Breaker Size | 300 |
| Minimum Wire Input | 350 MCM or 125% of circuit size |
| Idle Amperage | 19.4 |
| Three Phase Electrical Specifications | |
| Voltage Output | 208-245 based on input voltage |
| Output Amperage | 244 |
| Voltage Balance | 2 - 5% |
| Minimum Wire to Generator | 1/0 AWG to each idler (pre wired) |
| Minimum Wire to Load | 3/0 AWG or based on load |
| Dimensions & Weights | |
| Enclosure (H X W X D) | 30" X 24" X 32" |
| Idler (Approx.) Length X Diameter | (2) 22" X 13.5" |
| Approx. Total Shipping Weight | 856 lbs. |

| |
|--|
| The PL-100 Pro-Line Phase Converter is best sized for: |
| Easy / Light Motor Loads - up to 75HP |
| <i>Examples of Easy Loads: Table Saw, Milling Machine, Drill Press</i> |
| Medium Motor Loads - up to 60HP |
| <i>Examples of Medium Loads: Belt Sander, Grinder, Mixer</i> |
| Hard Motor Loads - up to 50HP |
| <i>Examples of Hard Loads: Gearhead Lathe, Dust Collector, Fan</i> |
| Very Hard Motor Load - up to 40HP |
| <i>Examples of Very Hard Motor Loads: Air Compressor, Sub. Pump</i> |
| CNC, Resistive and Inductive Loads - up to 122 Amps @240 volts |

Sizing Notes PL-100

For light/easy motor loads: Size rotary phase converter up one size above motor size

For medium motor loads: Size rotary phase converter 1.5 times larger than motor size

For heavy/hard motor loads: Size rotary phase converter double the size of motor load

For very hard motor loads: Size rotary phase converter 2.5 times larger than the motor load

For CNC, resistive and inductive loads: Size rotary phase converter double the size of load

Available Accessories



Wired and Wireless Remote Switches



Twist-Lock Outlets and Plugs



Rubber Isolation Mounting Feet