

Smart-Phase™ Rotary Converters

SP-5

Quick Specs

See back for complete specs

Single Phase Input Voltage: 208 - 245 Volts

3 Phase Rated Output: 208 - 245 Volts

Minimum Single Phase Circuit: 20 Amps

Best Performance Single Motor Start: 3HP

Recommended 3 Phase Sizing: 10 Amps

Voltage Balance: Based on input +/-2-3%

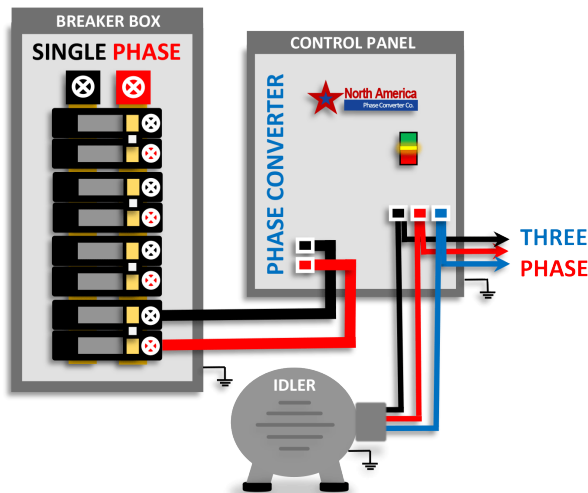
Professional. Powerful. Affordable. Smart-Phase™ offers more than you would expect from a phase converter. Unparalleled starting power for the toughest starting applications and precision voltage balance.

Control Panel Features

- 600% Motor Starting Boost Current
- Built-In Motor Starter with Start/Stop Push Button Switch
- Digitally Controlled with Solid State Switches
- 2-3% Precision Voltage Balancing
- Power "ON" Indicator Light
- Voltage Differential Technology
- 10 Year Parts / Lifetime Labor Warranty
- Made In the USA



Typical Wiring Diagram



Idler Generator Features

- Custom Made Rotary Phase Converter Generators
- Low Impedance/High Efficiency Design
- Custom Copper Windings and Rotor
- Made by ABB / Baldor Electric USA
- Available in ODP and TEFC
- Shielded Windings
- Made In the USA

Model	
Brand	NAPCES
Line	Smart-Phase™
Model #	SP-5
General Specifications	
Horse Power (HP)	5
Kilo-watt (kW)	3.7
Frequency (Hz)	60
Generator Type	ODP
Enclosure Type	NEMA 1 (Indoor)
Generator Frame	145
Single Phase Electrical Specifications	
Voltage Input	208-245
Minimum Fuse Size	20
Minimum Circuit Breaker Size	20
Maximum Fuse Size	30
Maximum Circuit Breaker Size	30
Minimum Wire Input	10 AWG
Idle Amperage	2.54
Three Phase Electrical Specifications	
Voltage Output	208-245 based on input voltage
Output Amperage	12.4
Voltage Balance	2-3%
Minimum Wire to Generator	12 AWG
Minimum Wire to Load	12 AWG or based on load
Dimensions & Weights	
Enclosure (H X W X D)	28.5" X 18" X 24"
Idler (Approx.) Length X Diameter	13.5" X 9.5"
Approx. Total Shipping Weight	114 lbs.

The SP-10 Smart-Phase™ Digital Phase Converter is best sized for:
Easy / Light Motor Loads - up to 4 HP
<i>Examples of Easy Loads: Table Saw, Milling Machine, Drill Press</i>
Medium Motor Loads - up to 3 HP
<i>Examples of Medium Loads: Belt Sander, Grinder, Mixer</i>
Hard Motor Loads - up to 2.5 HP
<i>Examples of Hard Loads: Gearhead Lathe, Dust Collector, Fan</i>
Very Hard Motor Load - up to 2.5 HP
<i>Examples of Very Hard Motor Loads: Air Compressor, Sub. Pump</i>
CNC, Resistive and Inductive Loads - 10 Amps @240 Volts

Sizing Notes **SP-5**

Smart-Phase™ Digital Rotary Phase Converters represent the ultimate technology for converting single-phase electrical power to three-phase electrical power.

Smart-Phase™ Digital Rotary Phase Converters utilize the latest advances in solid state power switching technology. Proprietary software controls power switching devices that generate three-phase power with more precision and efficiency.

Smart-Phase™ Converters are optimized to run at 80% load of the full converter output.



Built-In Motor Starter with Start / Stop Switch



Digital Controlled and Solid State Switches



Complete 3 Phase Power Guard Protection