

Smart-Phase™ Rotary Converters **SP-40**

Quick Specs

See back for complete specs

Single Phase Input Voltage: 208 - 245 Volts

3 Phase Rated Output: 208 - 245 Volts

Minimum Single Phase Circuit: 100 Amps

Best Performance Single Motor Start: 25HP

Recommended 3 Phase Sizing: 72 Amps

Voltage Balance: +/-2-3% (Based on input)

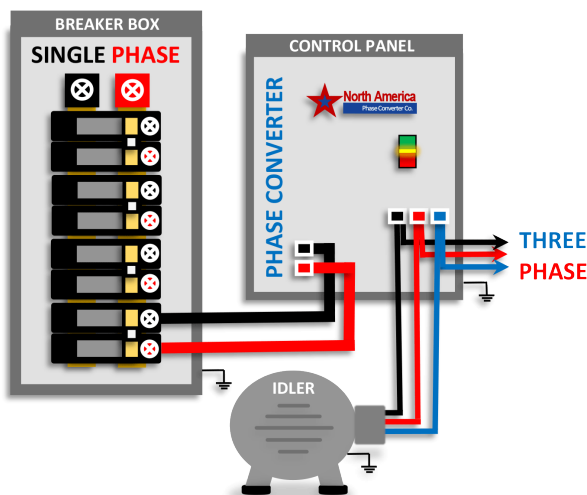
Professional. Powerful. Affordable. Smart-Phase™ offers more than you would expect from a phase converter. Unparalleled starting power for the toughest starting applications and precision voltage balance.

Control Panel Features

- 600% Motor Starting Boost Current
- Built-In Motor Starter with Start/Stop Push Button Switch
- Digitally Controlled with Solid State Switches
- 2-3% Precision Voltage Balancing
- Power "ON" Indicator Light
- Voltage Differential Technology
- 10 Year Parts / Lifetime Labor Warranty
- Made In the USA



Typical Wiring Diagram



Idler Generator Features

- Custom Made Rotary Phase Converter Generators
- Low Impedance/High Efficiency Design
- Custom Copper Windings and Rotor
- Made by Baldor Electric USA
- Available in ODP and TEFC
- Shielded Windings
- Made In the USA



North America Phase Converter Co.
2728 South 163rd Street
New Berlin, WI 53151
877-545-2926
NorthAmericaPhaseConverters.com



Model	
Brand	NAPCES
Line	Smart-Phase™
Model #	SP-40-EE
General Specifications	
Horse Power (HP)	40
Kilo-watt (kW)	33.8
Frequency (Hz)	60
Generator Type	ODP
Enclosure Type	NEMA 1 (Indoor)
Generator Frame	284T
Single Phase Electrical Specifications	
Voltage Input	208-245
Minimum Fuse Size	100
Minimum Circuit Breaker Size	100
Maximum Fuse Size	200
Maximum Circuit Breaker Size	200
Minimum Wire Input	2/0 AWG or 125% of circuit
Idle Amperage	14.6
Three Phase Electrical Specifications	
Voltage Output	208-245 based on input voltage
Output Amperage	90
Voltage Balance	2-3%
Minimum Wire to Generator	1 AWG
Minimum Wire to Load	1 AWG or based on load
Dimensions & Weights	
Enclosure (H X W X D)	30" X 24" X 32"
Idler (Approx.) Length X Diameter	(2) 17.5" X 11.5"
Approx. Total Shipping Weight	466 lbs.

The SP-40 Smart-Phase™ Digital Phase Converter is best sized for:
Easy / Light Motor Loads - up to 30 HP
<i>Examples of Easy Loads: Table Saw, Milling Machine, Drill Press</i>
Medium Motor Loads - up to 25 HP
<i>Examples of Medium Loads: Belt Sander, Grinder, Mixer</i>
Hard Motor Loads - up to 25 HP
<i>Examples of Hard Loads: Gearhead Lathe, Dust Collector, Fan</i>
Very Hard Motor Load - up to 20 HP
<i>Examples of Very Hard Motor Loads: Air Compressor, Sub. Pump</i>
CNC, Resistive and Inductive Loads - 72 Amps @240 Volts

Sizing Notes **SP-40**

Smart-Phase™ Digital Rotary Phase Converters represent the ultimate technology for converting single-phase electrical power to three-phase electrical power.

Smart-Phase™ Digital Rotary Phase Converters utilize the latest advances in solid state power switching technology. Proprietary software controls power switching devices that generate three-phase power with more precision and efficiency.

Smart-Phase™ Converters are optimized to run at 80% load of the full converter output.



Built-In Motor Stater with Start / Stop Switch



Oversized Power Distribution Blocks for Easy Installation



Complete 3 Phase Power Guard Protection