

# Smart-Boost™ Rotary Converters

# SB-5

## Quick Specs

See back for complete specs

**Single Phase Input Voltage:** 208 - 245 Volts

**3 Phase Rated Output:** 208 - 245 Volts

**Minimum Single Phase Circuit:** 20 Amps

**Best Performance Single Motor Start:** 2.5HP

**Recommended 3 Phase Sizing:** 7 Amps

**Voltage Balance:** Based on input +/-5-10%

**Professional. Powerful. Affordable.** Smart-Boost™ offers more than you would expect from a phase converter. Unparalleled starting power for the toughest starting applications.



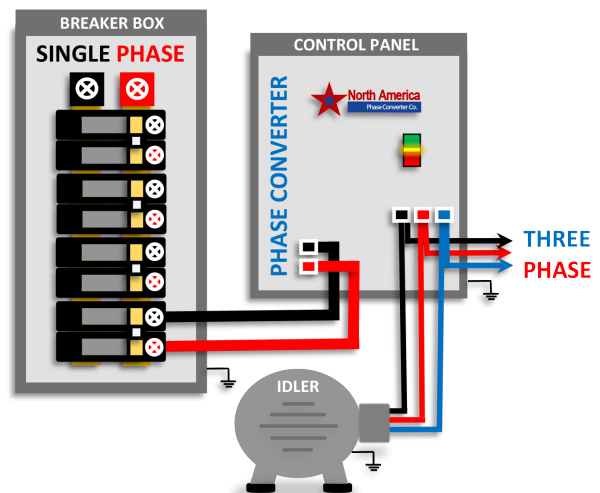
### Control Panel Features

- 600% Motor Starting Boost Current
- Built-In Motor Starter with Start/Stop Push Button Switch
- Digitally Controlled with Solid State Switches
- Three Phase Power Failure Protection
- Power "ON" Indicator Light
- Voltage Differential Technology
- 10 Year Parts / Lifetime Labor Warranty
- Made In the USA

### Idler Generator Features

- Custom Designed Rotary Generators
- Low Impedance/High Efficiency Design
- Custom Copper Windings and Rotor
- Made by ABB / Baldor Electric USA
- Available in ODP and TEFC
- Shielded Windings
- Made In the USA

### Typical Wiring Diagram



North America Phase Converter Co.  
2728 South 163rd Street  
New Berlin, WI 53151  
877-545-2926  
NorthAmericaPhaseConverters.com



Model	
Brand	NAPCES
Line	Smart-Boost™
Model #	SB-5
General Specifications	
Horse Power (HP)	5
Kilo-watt (kW)	3.3
Frequency (Hz)	60
Generator Type	ODP
Enclosure Type	NEMA 1 (Indoor)
Generator Frame	182
Single Phase Electrical Specifications	
Voltage Input	208-245
Minimum Fuse Size	20
Minimum Circuit Breaker Size	20
Maximum Fuse Size	30
Maximum Circuit Breaker Size	30
Minimum Wire Input	10 AWG
Idle Amperage	1.72
Three Phase Electrical Specifications	
Voltage Output	208-245 based on input voltage
Output Amperage	14
Voltage Balance	5-10%
Minimum Wire to Generator	12 AWG
Minimum Wire to Load	12 AWG or based on load
Dimensions & Weights	
Enclosure (H X W X D)	18" X 12" X 8"
Idler (Approx.) Length X Diameter	10" X 6.5"
Approx. Total Shipping Weight	79 lbs.

The SB-5 Smart-Boost™ Phase Converter is best sized for:	
<b>Easy / Light Motor Loads - up to 3 HP</b>	
<i>Examples of Easy Loads: Table Saw, Milling Machine, Drill Press</i>	
<b>Medium Motor Loads - up to 3 HP</b>	
<i>Examples of Medium Loads: Belt Sander, Grinder, Mixer</i>	
<b>Hard Motor Loads - up to 2.5 HP</b>	
<i>Examples of Hard Loads: Gearhead Lathe, Dust Collector, Fan</i>	
<b>Very Hard Motor Load - up to 2.5 HP</b>	
<i>Examples of Very Hard Motor Loads: Air Compressor, Sub. Pump</i>	
<b>CNC, Resistive and Inductive Loads - N/A</b>	

### Sizing Notes

SB-5

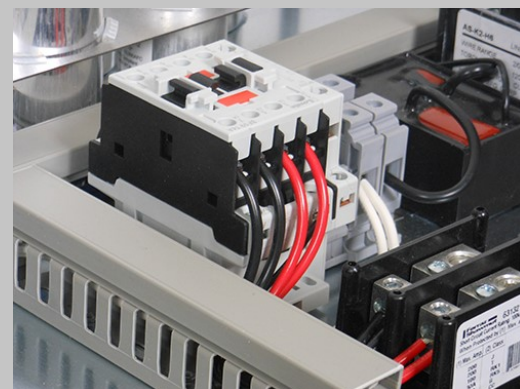
- For light/easy motor loads:** Size rotary phase converter 1.25 times larger than the motor load
- For medium motor loads:** Size rotary phase converter 1.5 times larger than the motor load
- For heavy/hard motor loads:** Size rotary phase converter double the size of motor load
- For very hard motor loads:** Size rotary phase converter double the size of motor load
- For CNC, resistive and inductive loads:** Consider *Smart-Phase™* Rotary Phase Converters



**Built-In Motor Stater with Start / Stop Switch**



**Solid State Controller with Zero Degree Power Switches (Thyristors)**



**Complete 3 Phase Power Guard Protection**