

# Smart-Boost™ Rotary Converters

# SB-40

## Quick Specs

See back for complete specs

**Single Phase Input Voltage:** 208 - 245 Volts

**3 Phase Rated Output:** 208 - 245 Volts

**Minimum Single Phase Circuit:** 100 Amps

**Best Performance Single Motor Start:** 20HP

**Recommended 3 Phase Sizing:** 46 Amps

**Voltage Balance:** Based on input +/-5-10%

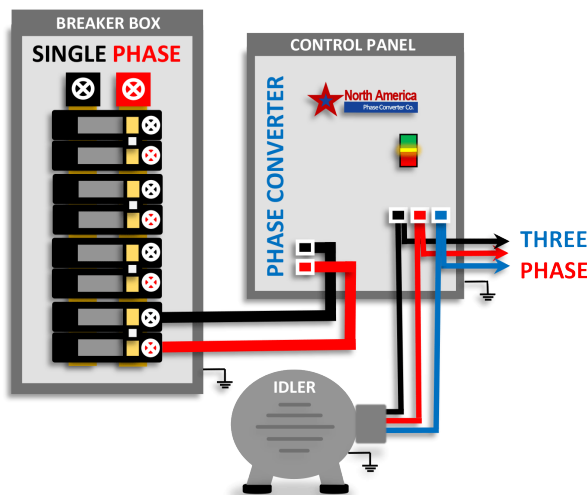
**Professional. Powerful. Affordable.** Smart-Boost™ offers more than you would expect from a phase converter. Unparalleled starting power for the toughest starting applications.

### Control Panel Features

- 600% Motor Starting Boost Current
- Built-In Motor Starter with Start/Stop Push Button Switch
- Digitally Controlled with Solid State Switches
- Complete Phase Power Failure Protection
- Power "ON" Indicator Light
- Voltage Differential Technology
- 10 Year Parts / Lifetime Labor Warranty
- Made In the USA



### Typical Wiring Diagram



### Idler Generator Features

- Custom Made Rotary Phase Converter Generators
- Low Impedance/High Efficiency Design
- Custom Copper Windings and Rotor
- Made by ABB / Baldor Electric USA
- Available in ODP and TEFC
- Shielded Windings
- Made In the USA



North America Phase Converter Co.  
2728 South 163rd Street  
New Berlin, WI 53151  
877-545-2926  
NorthAmericaPhaseConverters.com



Model	
Brand	NAPCES
Line	Smart-Boost™
Model #	SB-40
General Specifications	
Horse Power (HP)	40
Kilo-watt (kW)	29.8
Frequency (Hz)	60
Generator Type	ODP
Enclosure Type	NEMA 1 (Indoor)
Generator Frame	286
Single Phase Electrical Specifications	
Voltage Input	208-245
Minimum Fuse Size	100
Minimum Circuit Breaker Size	100
Maximum Fuse Size	200
Maximum Circuit Breaker Size	200
Minimum Wire Input	4/0 AWG
Idle Amperage	12.24
Three Phase Electrical Specifications	
Voltage Output	208-245 based on input voltage
Output Amperage	104
Voltage Balance	5-10%
Minimum Wire to Generator	1 AWG
Minimum Wire to Load	1 AWG or based on load
Dimensions & Weights	
Enclosure (H X W X D)	28" X 18" X 24"
Idler (Approx.) Length X Diameter	21.5" X 13.25"
Approx. Total Shipping Weight	371 lbs.

<b>The SB-40 Smart-Boost™ Phase Converter is best sized for:</b>
<b>Easy / Light Motor Loads - up to 30 HP</b>
<i>Examples of Easy Loads: Table Saw, Milling Machine, Drill Press</i>
<b>Medium Motor Loads - up to 25 HP</b>
<i>Examples of Medium Loads: Belt Sander, Grinder, Mixer</i>
<b>Hard Motor Loads - up to 20 HP</b>
<i>Examples of Hard Loads: Gearhead Lathe, Dust Collector, Fan</i>
<b>Very Hard Motor Load - up to 20 HP</b>
<i>Examples of Very Hard Motor Loads: Air Compressor, Sub. Pump</i>
<b>CNC, Resistive and Inductive Loads - 46 Amps @240 Volts</b>

### Sizing Notes SB-40

- For light/easy motor loads:** Size rotary phase converter 1.25 times larger than the motor load
- For medium motor loads:** Size rotary phase converter 1.5 times larger than the motor load
- For heavy/hard motor loads:** Size rotary phase converter double the size of motor load
- For very hard motor loads:** Size rotary phase converter double the size of motor load
- For CNC, resistive and inductive loads:** Recommend *Pro-Line* or *Smart-Phase™*

### Available Accessories



Wired and Wireless Remote Switches



Twist-Lock Outlets and Plugs



Rubber Isolation Mounting Feet