

Smart-Boost™ Rotary Converters

SB-25

Quick Specs

See back for complete specs

Single Phase Input Voltage: 208 - 245 Volts

3 Phase Rated Output: 208 - 245 Volts

Minimum Single Phase Circuit: 60 Amps

Best Performance Single Motor Start:

Recommended 3 Phase Sizing: 30 Amps

Voltage Balance: Based on input +/-5-10%

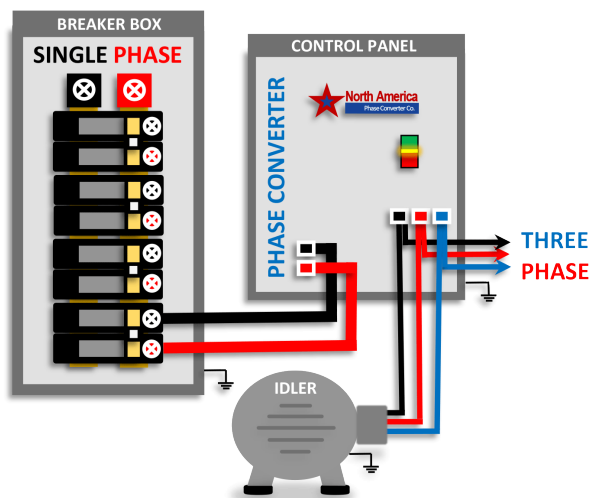
Professional. Powerful. Affordable. Smart-Boost™ offers more than you would expect from a phase converter. Unparalleled starting power for the toughest starting applications.

Control Panel Features

- 600% Motor Starting Boost Current
- Built-In Motor Starter with Start/Stop Push Button Switch
- Digitally Controlled with Solid State Switches
- Complete Phase Power Failure Protection
- Power "ON" Indicator Light
- Voltage Differential Technology
- 10 Year Parts / Lifetime Labor Warranty
- Made In the USA



Typical Wiring Diagram



Idler Generator Features

- Custom Made Rotary Phase Converter Generators
- Low Impedance/High Efficiency Design
- Custom Copper Windings and Rotor
- Made by ABB / Baldor Electric USA
- Available in ODP and TEFC
- Shielded Windings
- Made In the USA



North America Phase Converter Co.
2728 South 163rd Street
New Berlin, WI 53151
877-545-2926
NorthAmericaPhaseConverters.com



Model	
Brand	NAPCES
Line	Smart-Boost™
Model #	SB-25
General Specifications	
Horse Power (HP)	25
Kilo-watt (kW)	18.6
Frequency (Hz)	60
Generator Type	ODP
Enclosure Type	NEMA 1 (Indoor)
Generator Frame	256
Single Phase Electrical Specifications	
Voltage Input	208-245
Minimum Fuse Size	60
Minimum Circuit Breaker Size	60
Maximum Fuse Size	125
Maximum Circuit Breaker Size	125
Minimum Wire Input	4 AWG
Idle Amperage	7.42
Three Phase Electrical Specifications	
Voltage Output	208-245 based on input voltage
Output Amperage	65
Voltage Balance	5-10%
Minimum Wire to Generator	4AWG
Minimum Wire to Load	4 AWG or based on load
Dimensions & Weights	
Enclosure (H X W X D)	24" X 18" X 8"
Idler (Approx.) Length X Diameter	17.5" X 11.5"
Approx. Total Shipping Weight	264 lbs. (ODP)

The SB-25 Smart-Boost™ Phase Converter is best sized for:
Easy / Light Motor Loads - up to 20 HP
<i>Examples of Easy Loads: Table Saw, Milling Machine, Drill Press</i>
Medium Motor Loads - up to 20 HP
<i>Examples of Medium Loads: Belt Sander, Grinder, Mixer</i>
Hard Motor Loads - up to 15 HP
<i>Examples of Hard Loads: Gearhead Lathe, Dust Collector, Fan</i>
Very Hard Motor Load - up to 12 HP
<i>Examples of Very Hard Motor Loads: Air Compressor, Sub. Pump</i>
CNC, Resistive and Inductive Loads - 30 Amps @240 Volts

Sizing Notes

SB-25

For light/easy motor loads: Size rotary phase converter 1.25 times larger than the motor load

For medium motor loads: Size rotary phase converter 1.5 times larger than the motor load

For heavy/hard motor loads: Size rotary phase converter double the size of motor load

For very hard motor loads: Size rotary phase converter double the size of motor load

For CNC, resistive and inductive loads: Recommend Pro-Line or Smart-Phase™



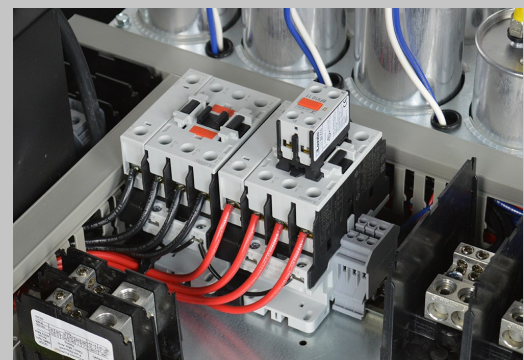
North America Phase Converter Co.
2728 South 163rd Street
New Berlin, WI 53151
877-545-2926
NorthAmericaPhaseConverters.com



Built-In Motor Stater with



Solid State Controller with Zero Degree Power Switches (Thyristors)



Complete 3 Phase Power Guard Protection