

# Pro-Line Rotary Phase Converters

# PL-40

## Quick Specs

See back for complete specs

**Single Phase Input Voltage:** 208 - 245 Volts

**3 Phase Rated Output:** 208 - 245 Volts

**Minimum Single Phase Circuit:** 100 Amps

**Best Performance Single Motor Start:** 20HP

**Recommended 3 Phase Sizing:** 50 Amps

**Voltage Balance:** +/-2-5% (Based on input)

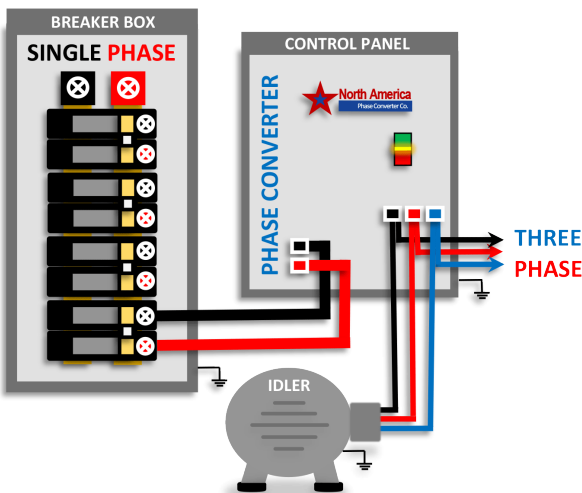
**Professional. Rugged. Affordable.** Pro-Line offers more than a traditional phase converter. Built complete and loaded with features.

### Control Panel Features

- Integrated Motor Starter with Start/Stop Push Button Switch
- Digitally Controlled & Protected Start Circuit
- Complete Phase Power Failure Protection
- CNC Voltage Balancing
- Power "ON" Indicator Light
- Easy Power Distribution Block Connections
- 10 Year Parts / Lifetime Labor Warranty
- Made In the USA



### Typical Wiring Diagram



### Idler Generator Features

- Custom Design Rotary Phase Converter Generators
- Low Impedance/High Efficiency Design
- Custom Copper Windings and Rotor
- Made by ABB / Baldor Electric USA
- Available in ODP and TEFC
- Soft Start Idler Generator
- Shielded Windings
- Made In the USA



North America Phase Converter Co.  
2728 South 163rd Street  
New Berlin, WI 53151  
877-545-2926  
NorthAmericaPhaseConverters.com



Model	
Brand	NAPCES
Line	Pro-Line
Model #	PL-40
General Specifications	
Horse Power (HP)	40
Kilo-watt (kW)	29.8
Frequency (Hz)	60
Generator Type	ODP
Enclosure Type	NEMA 1 (Indoor)
Generator Frame	326
Single Phase Electrical Specifications	
Voltage Input	208-245
Minimum Fuse Size	100
Minimum Circuit Breaker Size	100
Maximum Fuse Size	200
Maximum Circuit Breaker Size	200
Minimum Wire Input	2/0 AWG or 125% of circuit size
Idle Amperage	14.62
Three Phase Electrical Specifications	
Voltage Output	208-245 based on input voltage
Output Amperage	98
Voltage Balance	2 - 5%
Minimum Wire to Generator	1 AWG
Minimum Wire to Load	1 AWG or based on load
Dimensions & Weights	
Enclosure (H X W X D)	26" X 18" X 8"
Idler (Approx.) Length X Diameter	21.5" X 13.5"
Approx. Total Shipping Weight	428 lbs.

The PL-40 Pro-Line Phase Converter is best sized for:	
<b>Easy / Light Motor Loads - up to 30HP</b>	
<i>Examples of Easy Loads: Table Saw, Milling Machine, Drill Press</i>	
<b>Medium Motor Loads - up to 25HP</b>	
<i>Examples of Medium Loads: Belt Sander, Grinder, Mixer</i>	
<b>Hard Motor Loads - up to 20HP</b>	
<i>Examples of Hard Loads: Gearhead Lathe, Dust Collector, Fan</i>	
<b>Very Hard Motor Load - up to 15HP</b>	
<i>Examples of Very Hard Motor Loads: Air Compressor, Sub. Pump</i>	
<b>CNC, Resistive and Inductive Loads - up to 50 Amps @240 volts</b>	

### Sizing Notes

PL-40

- For light/easy motor loads:** Size rotary phase converter up one size above motor size
- For medium motor loads:** Size rotary phase converter 1.5 times larger than motor size
- For heavy/hard motor loads:** Size rotary phase converter double the size of motor load
- For very hard motor loads:** Size rotary phase converter 2.5 times larger than the motor load
- For CNC, resistive and inductive loads:** Size rotary phase converter double the size of load

### Available Accessories



Wired and Wireless Remote Switches



Twist-Lock Outlets and Plugs



Floor Mount Kit