

Pro-Line Rotary Phase Converters **PL-100**

Quick Specs

See back for complete specs

Single Phase Input Voltage: 208 - 245 Volts

3 Phase Rated Output: 208 - 245 Volts

Min. Single Phase Circuit: 200 Amps

Best Performance Single Motor Start: 50HP

Recommended 3 Phase Sizing: 122 Amps

Voltage Balance: +/-2-5% (Based on input)

Professional. Rugged. Affordable. Pro-Line offers more than a traditional phase converter. Built complete and loaded with features.

Control Panel Features

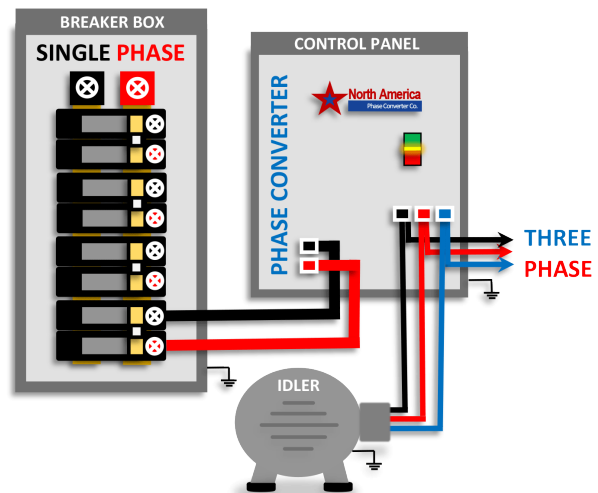
- Integrated Motor Starter with Start/Stop Push Button Switch
- Digitally Controlled & Protected Start Circuit
- Complete Phase Power Failure Protection
- CNC Voltage Balancing
- Power "ON" Indicator Light
- Easy Power Distribution Block Connections
- 10 Year Parts / Lifetime Labor Warranty
- Made In the USA



Idler Generator Features

- Custom Design Rotary Phase Converter Generators
- Low Impedance/High Efficiency Design
- Custom Copper Windings and Rotor
- Made by ABB / Baldor Electric USA
- Soft Start Idler Generator
- Shielded Windings
- Made In the USA

Typical Wiring Diagram



North America Phase Converter Co.
2728 South 163rd Street
New Berlin, WI 53151
877-545-2926
NorthAmericaPhaseConverters.com



Model	
Brand	NAPCES
Line	Pro-Line
Model #	PL-100
General Specifications	
Horse Power (HP)	100
Kilo-watt (kW)	74kW
Frequency (Hz)	60
Generator Type	ODP
Enclosure Type	NEMA 1 (Indoor)
Generator Frame	Twin 324
Single Phase Electrical Specifications	
Voltage Input	208-245
Minimum Fuse Size	150
Minimum Circuit Breaker Size	150
Maximum Fuse Size	300
Maximum Circuit Breaker Size	300
Minimum Wire Input	350 MCM or 125% of circuit size
Idle Amperage	19.4
Three Phase Electrical Specifications	
Voltage Output	208-245 based on input voltage
Output Amperage	244
Voltage Balance	2 - 5%
Minimum Wire to Generator	1/0 AWG to each idler (pre wired)
Minimum Wire to Load	3/0 AWG or based on load
Dimensions & Weights	
Enclosure (H X W X D)	30" X 24" X 32"
Idler (Approx.) Length X Diameter	(2) 22" X 13.5"
Approx. Total Shipping Weight	856 lbs.

The PL-60 Pro-Line Phase Converter is best sized for:	
Easy / Light Motor Loads - up to 75HP	
<i>Examples of Easy Loads: Table Saw, Milling Machine, Drill Press</i>	
Medium Motor Loads - up to 60HP	
<i>Examples of Medium Loads: Belt Sander, Grinder, Mixer</i>	
Hard Motor Loads - up to 50HP	
<i>Examples of Hard Loads: Gearhead Lathe, Dust Collector, Fan</i>	
Very Hard Motor Load - up to 40HP	
<i>Examples of Very Hard Motor Loads: Air Compressor, Sub. Pump</i>	
CNC, Resistive and Inductive Loads - up to 122 Amps @240 volts	

Sizing Notes PL-100

For light/easy motor loads: Size rotary phase converter up one size above motor size

For medium motor loads: Size rotary phase converter 1.5 times larger than motor size

For heavy/hard motor loads: Size rotary phase converter double the size of motor load

For very hard motor loads: Size rotary phase converter 2.5 times larger than the motor load

For CNC, resistive and inductive loads: Size rotary phase converter double the size of load

Available Accessories



Wired and Wireless Remote Switches



Twist-Lock Outlets and Plugs



Rubber Isolation Mounting Feet