

Rotary Phase Converter Control Panel CP-30

Quick Specs

See back for complete specs

Single Phase Input Power: 208 - 245 Volts

3 Phase Rated Output: 208 - 245 Volts

Minimum Single Phase Circuit: 70 Amps

Best Performance Single Motor Start: 15HP

Recommended 3 Phase Sizing: 37 Amps

Idler Motor Rating: Add your 30HP idler motor

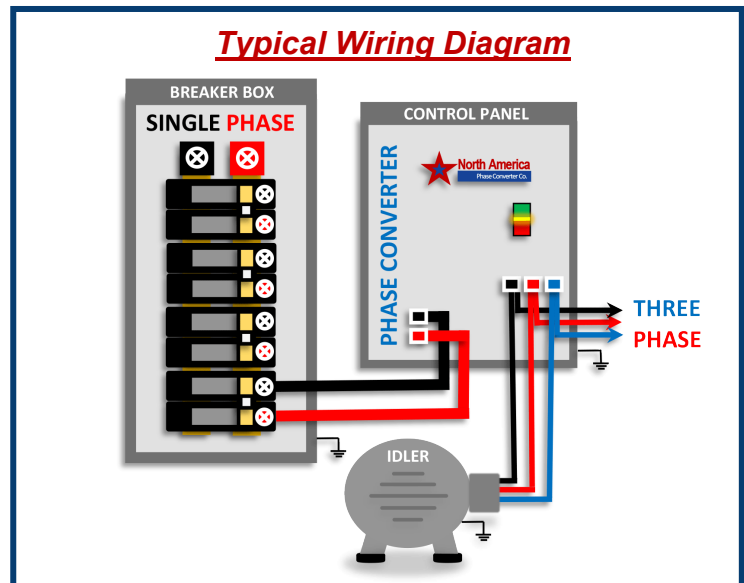
Professional. Rugged. Affordable. Build your own rotary phase converter with our Pro-Line CP line of control panels and your motor as an idler motor. Pro-Line CP offers more than a traditional phase converter. Built complete and loaded with features.

Control Panel Features

- Built-In Motor Starter with Start/ Stop Push Button Switch
- Available in a NEMA 3R Upgrade (Outdoor Use)
- Digitally Controlled & Protected Start Circuit
- Easy Power Distribution Block Connections
- Complete Phase Power Failure Protection
- 10 Year Parts / Lifetime Labor Warranty
- Precision Voltage Balancing
- Power "ON" Indicator Light
- Emergency Stop Button
- Made In the USA



Typical Wiring Diagram



North America Phase Converter Co.
2728 South 163rd Street
New Berlin, WI 53151
877-545-2926
NorthAmericaPhaseConverters.com



Model	
Brand	NAPCES
Line	Pro-Line
Model #	CP-30
General Specifications	
Horse Power (HP)	30
Kilo-watt (kW)	21.4
Frequency (Hz)	60
Generator Type	Add your 30 HP idler motor
Enclosure Type	NEMA 1 (Indoor)
Generator Frame	286
Single Phase Electrical Specifications	
Voltage Input	208-245
Minimum Fuse Size	70
Minimum Circuit Breaker Size	70
Maximum Fuse Size	150
Maximum Circuit Breaker Size	150
Minimum Wire Input	2/0 AWG
Idle Amperage	Based on your 30 HP Motor
Three Phase Electrical Specifications	
Voltage Output	208-245 based on input voltage
Output Amperage	80
Voltage Balance	2-5 %
Minimum Wire to Generator	3 AWG
Minimum Wire to Load	3 AWG
Dimensions & Weights	
Enclosure (H X W X D)	24" X 18" X 8"
Idler size	Based on your 30 HP Motor
Approx. Total Shipping Weight	44 lbs.

The CP-30 Pro-Line Phase Converter is best sized for:
Easy / Light Motor Loads - 25 HP
<i>Examples of Easy Loads: Table Saw, Milling Machine, Drill Press</i>
Medium Motor Loads - up to 20 HP
<i>Examples of Medium Loads: Belt Sander, Grinder, Mixer</i>
Hard Motor Loads - up to 15 HP
<i>Examples of Hard Loads: Gearhead Lathe, Dust Collector, Fan</i>
Very Hard Motor Load - up to 10 HP
<i>Examples of Very Hard Motor Loads: Air Compressor, Sub. Pump</i>
CNC, Resistive and Inductive Loads: up to 37 amps @240 Volts

Sizing Notes CP-30

- For light/easy motor loads:** Size rotary phase converter up one size above motor size
- For medium motor loads:** Size rotary phase converter 1.5 times larger than motor size
- For heavy/hard motor loads:** Size rotary phase converter double the size of motor load
- For very hard motor loads:** Size rotary phase converter 2.5 times larger than the motor load
- For CNC, resistive and inductive loads:** Size rotary phase converter double the size of load

Available Accessories



Wired and Wireless Remote Switches



Twist-Lock Outlets and Plugs



Digital Voltage Meter