

Rotary Phase Converter Control Panel CP-25

Quick Specs

See back for complete specs

Single Phase Input Power: 208 - 245 Volts

3 Phase Rated Output: 208 - 245 Volts

Minimum Single Phase Circuit: 60 Amps

Best Performance Single Motor Start: 12HP

Recommended 3 Phase Sizing: 30 Amps

Idler Motor Rating: Add your 25HP idler motor

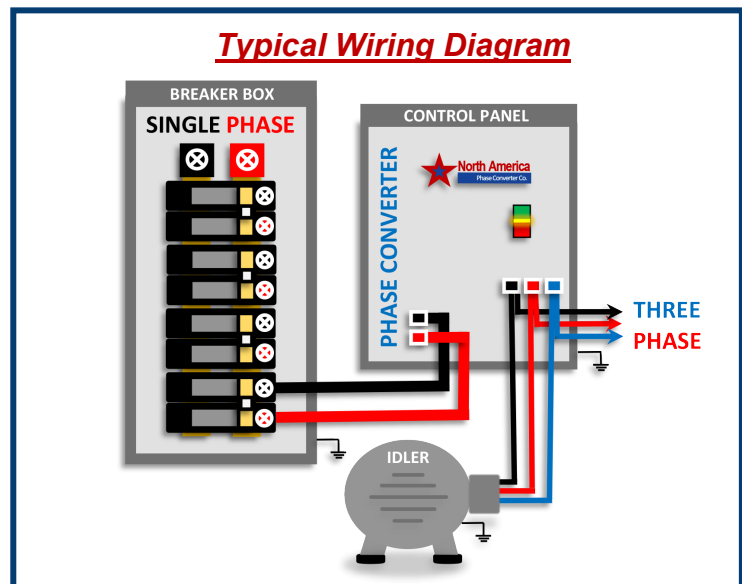
Professional. Rugged. Affordable. Build your own rotary phase converter with our Pro-Line CP line of control panels and your motor as an idler motor. Pro-Line CP offers more than a traditional phase converter. Built complete and loaded with features.

Control Panel Features

- Built-In Motor Starter with Start/ Stop Push Button Switch
- Available in a NEMA 3R Upgrade (Outdoor Use)
- Digitally Controlled & Protected Start Circuit
- Easy Power Distribution Block Connections
- Complete Phase Power Failure Protection
- 10 Year Parts / Lifetime Labor Warranty
- Precision Voltage Balancing
- Power "ON" Indicator Light
- Emergency Stop Button
- Made In the USA



Typical Wiring Diagram



North America Phase Converter Co.
2728 South 163rd Street
New Berlin, WI 53151
877-545-2926
NorthAmericaPhaseConverters.com



Model	
Brand	NAPCES
Line	Pro-Line
Model #	CP-25
General Specifications	
Horse Power (HP)	25
Kilo-watt (kW)	18.6
Frequency (Hz)	60
Generator Type	Add your 25HP idler motor
Enclosure Type	NEMA 1 (Indoor)
Generator Frame	284
Single Phase Electrical Specifications	
Voltage Input	208-245
Minimum Fuse Size	60
Minimum Circuit Breaker Size	60
Maximum Fuse Size	125
Maximum Circuit Breaker Size	125
Minimum Wire Input	210 AWG
Idle Amperage	Based on your 25HP Motor
Three Phase Electrical Specifications	
Voltage Output	208-245 based on input voltage
Output Amperage	80
Voltage Balance	5-8 %
Minimum Wire to Generator	4 AWG
Minimum Wire to Load	4 AWG or based on load
Dimensions & Weights	
Enclosure (H X W X D)	24" X 18" X 8"
Idler size	Based on your 25HP Motor
Approx. Total Shipping Weight	42 lbs.

The CP-30 Pro-Line Phase Converter is best sized for:
Easy / Light Motor Loads - 20 HP
<i>Examples of Easy Loads: Table Saw, Milling Machine, Drill Press</i>
Medium Motor Loads - up to 15 HP
<i>Examples of Medium Loads: Belt Sander, Grinder, Mixer</i>
Hard Motor Loads - up to 12 HP
<i>Examples of Hard Loads: Gearhead Lathe, Dust Collector, Fan</i>
Very Hard Motor Load - up to 10 HP
<i>Examples of Very Hard Motor Loads: Air Compressor, Sub. Pump</i>
CNC, Resistive and Inductive Loads : up to 30 Amps @240 Volts

Sizing Notes CP-25

- For light/easy motor loads:** Size rotary phase converter up one size above motor size
- For medium motor loads:** Size rotary phase converter 1.5 times larger than motor size
- For heavy/hard motor loads:** Size rotary phase converter double the size of motor load
- For very hard motor loads:** Size rotary phase converter 2.5 times larger than the motor load
- For CNC, resistive and inductive loads:** Size rotary phase converter double the size of load

Available Accessories



Wired and Wireless Remote Switches



Twist-Lock Outlets and Plugs



Digital Voltage Meter