

Rotary Phase Converter Control Panel CP-20

Quick Specs

See back for complete specs

Single Phase Input Power: 208 - 245 Volts

3 Phase Rated Output: 208 - 245 Volts

Minimum Single Phase Circuit: 50 Amps

Best Performance Single Motor Start: 10HP

Recommended 3 Phase Sizing: 25 Amps

Idler Motor Rating: Add your 20HP idler motor

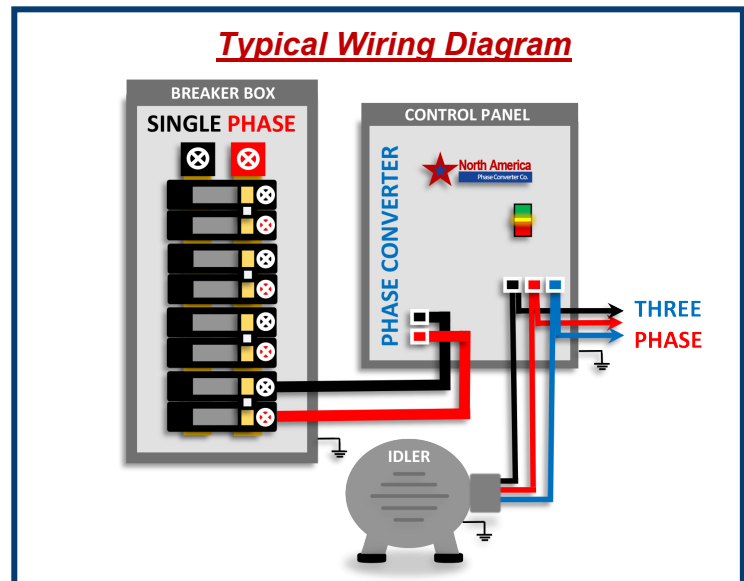
Professional. Rugged. Affordable. Build your own rotary phase converter with our Pro-Line CP line of control panels and your motor as an idler motor. Pro-Line CP offers more than a traditional phase converter. Built complete and loaded with features.

Control Panel Features

- Built-In Motor Starter with Start/ Stop Push Button Switch
- Available in a NEMA 3R Upgrade (Outdoor Use)
- Digitally Controlled & Protected Start Circuit
- Easy Power Distribution Block Connections
- Complete Phase Power Failure Protection
- 10 Year Parts / Lifetime Labor Warranty
- Precision Voltage Balancing
- Power "ON" Indicator Light
- Emergency Stop Button
- Made In the USA



Typical Wiring Diagram



North America Phase Converter Co.
2728 South 163rd Street
New Berlin, WI 53151
877-545-2926
NorthAmericaPhaseConverters.com



| Model | |
|--|----------------------------------|
| Brand | NAPCES |
| Line | Pro-Line |
| Model # | CP-20 |
| General Specifications | |
| Horse Power (HP) | 20 |
| Kilo-watt (kW) | 14.9 |
| Frequency (Hz) | 60 |
| Generator Type | Add your 20HP idler motor |
| Enclosure Type | NEMA 1 (Indoor) |
| Generator Frame | Based on your 20HP Motor |
| Single Phase Electrical Specifications | |
| Voltage Input | 208-245 |
| Minimum Fuse Size | 50 |
| Minimum Circuit Breaker Size | 50 |
| Maximum Fuse Size | 100 |
| Maximum Circuit Breaker Size | 100 |
| Minimum Wire Input | 2 AWG |
| Idle Amperage | Based on your 20HP Motor |
| Three Phase Electrical Specifications | |
| Voltage Output | 208-245 based on input voltage |
| Output Amperage | 48 |
| Voltage Balance | 2-5 % |
| Minimum Wire to Generator | 6 AWG |
| Minimum Wire to Load | 6 AWG |
| Dimensions & Weights | |
| Enclosure (H X W X D) | 18" X 18" X 8" |
| Idler size | Based on your 20 HP Motor |
| Approx. Total Shipping Weight | 38 lbs. |

| The CP-20 Pro-Line Phase Converter is best sized for: | |
|--|--|
| Easy / Light Motor Loads - 15 HP | |
| <i>Examples of Easy Loads: Table Saw, Milling Machine, Drill Press</i> | |
| Medium Motor Loads - up to 12 HP | |
| <i>Examples of Medium Loads: Belt Sander, Grinder, Mixer</i> | |
| Hard Motor Loads - up to 10 HP | |
| <i>Examples of Hard Loads: Gearhead Lathe, Dust Collector, Fan</i> | |
| Very Hard Motor Load - up to 7.5 HP | |
| <i>Examples of Very Hard Motor Loads: Air Compressor, Sub. Pump</i> | |
| CNC, Resistive and Inductive Loads: up to 25 Amps @240 Volts | |

Sizing Notes CP-20

- For light/easy motor loads:** Size rotary phase converter up one size above motor size
- For medium motor loads:** Size rotary phase converter 1.5 times larger than motor size
- For heavy/hard motor loads:** Size rotary phase converter double the size of motor load
- For very hard motor loads:** Size rotary phase converter 2.5 times larger than the motor load
- For CNC, resistive and inductive loads:** Size rotary phase converter double the size of load



Built-In Motor Stater with Start / Stop Switch



Oversized Power Distribution Blocks for Easy Installation



Complete 3 Phase Power Guard Protection